

THIS PAGE IS INTENTIONALLY LEFT BLANK

IP65 CIRCLITE LED Luminaire

Installation & Maintenance Instruction Leaflet



Victoria (Head Office & Manufacturing)

Website: www.clevertronics.com.au

Email: info@clevertronics.com.au

Phone: +61 3 9559 2700

Fax: +61 3 9559 2799

New South Wales

Phone: +61 2 8805 6400

Fax: +61 2 8805 6444

Queensland

Phone: +61 7 3442 9700

Fax: +61 7 3442 9777

South Australia/Northern Territory

Phone: +61 8 8301 8800

Fax: +61 8 8351 8286

Western Australia

Phone: +61 8 9207 0000

Fax: +61 8 9207 0088

New Zealand

Phone: +64 800 548 448

Designed in Australia to comply with the requirements of AS60598.1 and AS/NZS CISPR15: 2017

Models:

ARGOCIRC-xx-yy

Options:

Without sensor xx = blank

Microwave Sensor Hi/Lo xx = SEN

Colour:

Black yy = BLK

White yy = WHT

Spare Parts:

8051470	Replacement LED Board
805-00004	Replacement LED Board (-SEN)
1330105	Replacement 240V Driver
1330104	Replacement 240V Driver (-SEN)

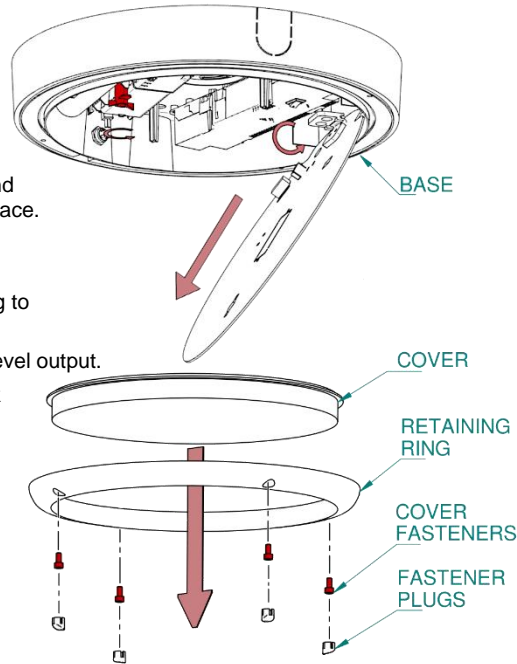
Important:

It is illegal for anyone, except for a licensed electrician to install or maintain this product. Before installation, ensure that the electricity supply has been switched off and isolated. Installation must be carried out in accordance with the relevant Building and Electrical Standards.

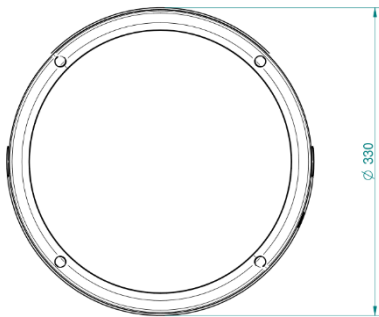
Installation:

This product is a surface ceiling or wall mount fitting. Please follow below image and steps to install:

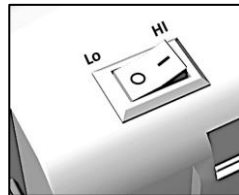
- Remove the x4 fastener plugs and x4 fastener screw to release retaining ring and diffuser.
- Release the LED board by twisting the butterfly lock, then flip and slide forward the LED board to access the base.
- Drill cable entry hole and mounting holes at base.
- Position the circular light to desired location and mark out the fixing points on the mounting surface.
- Route power supply cables through entry hole and fasten the circular light to the surface.
- Connect supply cable to the terminal according to the marked designation (N, L, E)
- For Non-Sensor version - Select HI / Lo light level output.
- Secure the LED board by slotting butterfly lock and twisting to locking position.
- Set the LED CCT switch to desired colour (3000K / 4000K / 5700K) and reinstall the diffuser and retaining ring.



Dimensions:



(Non-Sensor Version)
Driver Setting:



HI – High Lumen Output
Lo – Low Lumen Output

Note:

This luminaire (with reinforced insulation between control/LED terminal and AC supply) contains non-user replaceable light source - to be replaced (if required) by Clevertronics service personnel/agents or a registered electrician.

If flexible wiring is connected to this luminaire and is within arm's reach, the wiring shall be effectively fixed to the wall to reduce the risk of strangulation.

Trouble Shooting:

Below are a list of common problems and their possible causes.

Fault: The LED Panel is not illuminated.

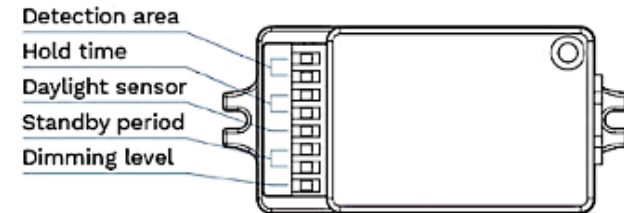
Check: A.C. is connected and is turned on.

Wiring connections between the LED Driver & LED Panel

Microwave Sensor Option

Refer to the supplementary operation guide supplied with the Product.

– Clevertronics Stallion Driver, Sensor Adjust.



Warranty:

For Product Warranty information and Terms and Conditions of Sales please refer to our website

<http://clevertronics.com.au/terms-conditions-sale-australia-nz/>